
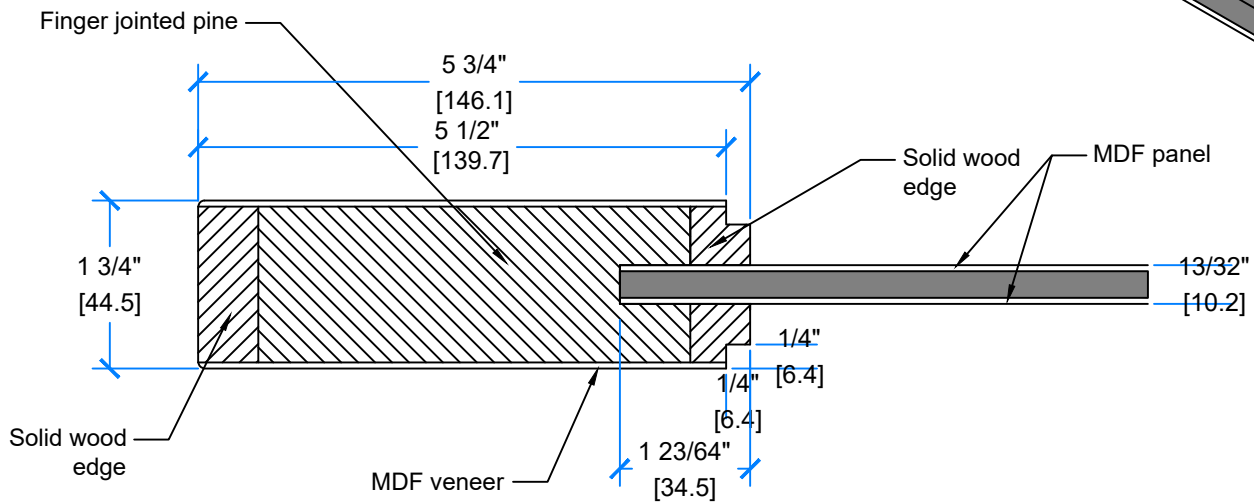
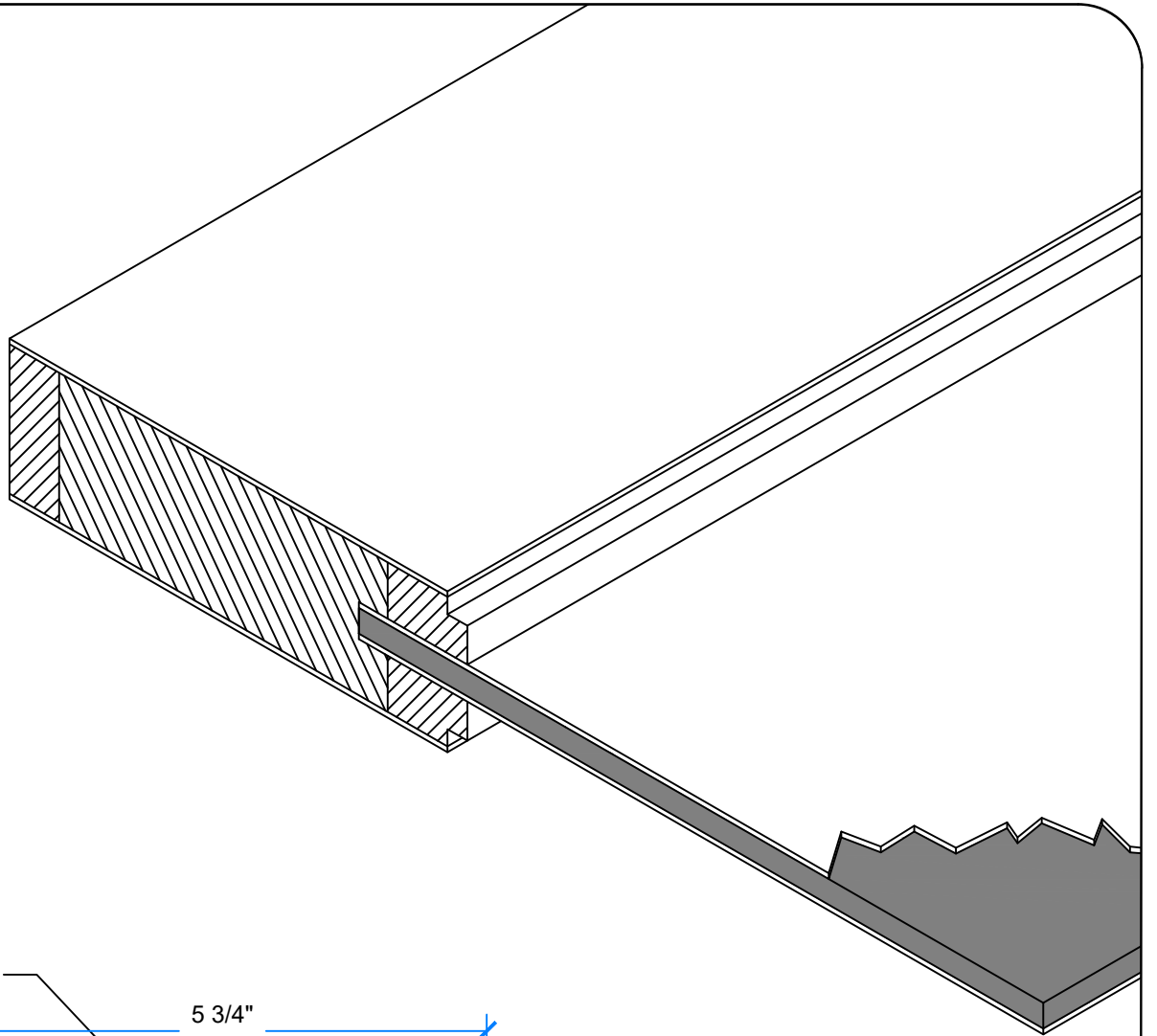


Subject: CUT SHEET	Serie: E-STICKING	Panel Type: FLAT	Drawing number: CUT SHEET BOOK	Draftsman: MARTIN ST-PIERRE	
Door thickness: 1-3/4"	Wood specie: VARIOUS	Glass type: N/A	Fire Rated: ULC 20MIN. CAT. B.	Date: 2019	

Dimensions between [ ] are in millimetres

Tolerance: ±1/16"    Scale: 1 : 2    Page: 1 / 1



Subject: CUT SHEET	Serie: E-STICKING	Panel Type: FLAT	Drawing number: CUT SHEET BOOK	Draftsman: MARTIN ST-PIERRE
Door thickness: 1-3/4"	Wood specie: PRIMED MDF	Glass type: N/A	Fire Rated: ULC 20MIN. CAT. B.	Date: 2019



Dimensions between [ ] are in millimetres

Tolerance: ±1/16"	Scale: 1 : 2	Page: 1 / 1
----------------------	-----------------	----------------